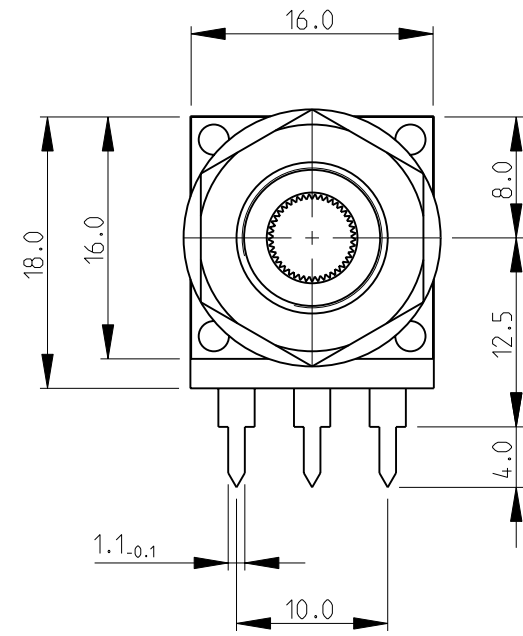
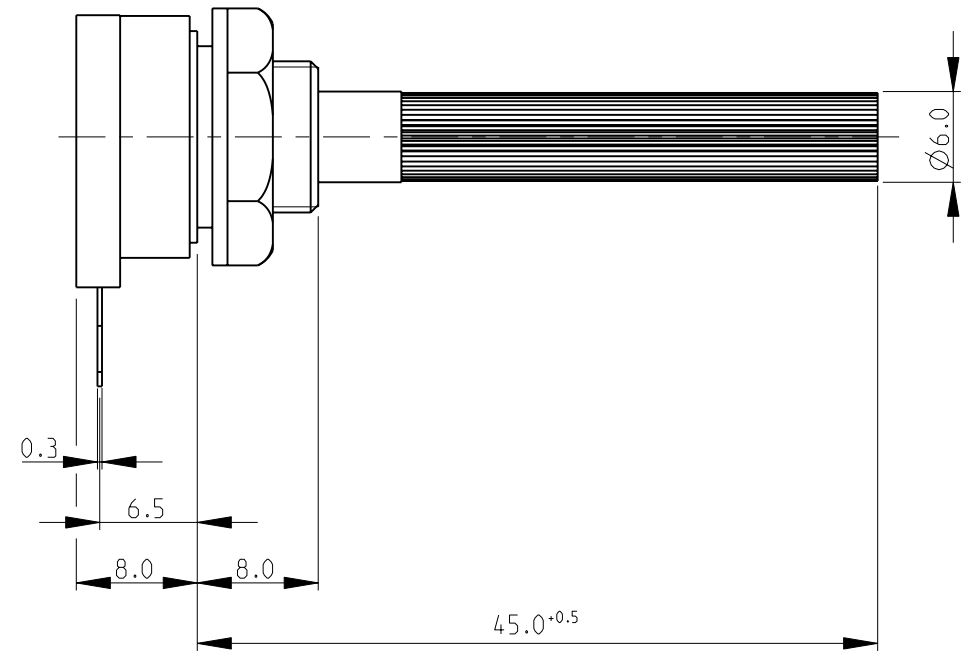


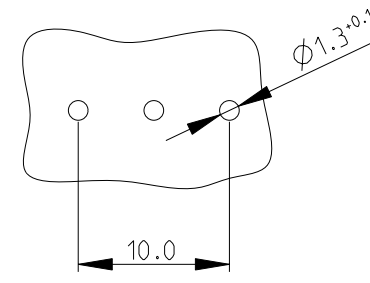
THIS DRAWING IS UNPUBLISHED. RELEASED FOR PUBLICATION 2008  
 © COPYRIGHT 2008 BY - ALL RIGHTS RESERVED.

| LOC |     | DIST                      |           | REVISIONS |      |  |  |
|-----|-----|---------------------------|-----------|-----------|------|--|--|
| P   | LTR | DESCRIPTION               | DATE      | DWN       | APVD |  |  |
| BA1 |     | REVISED PER ECO-11-005150 | 28MAR2011 | RK        | HMR  |  |  |

SERIES CP16SH10IP06\*

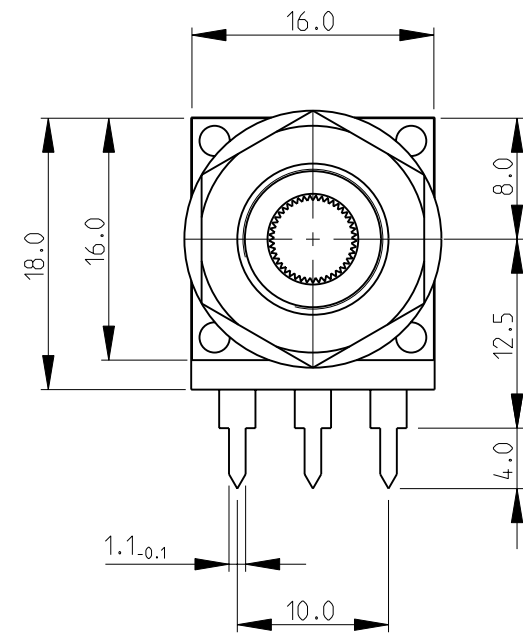
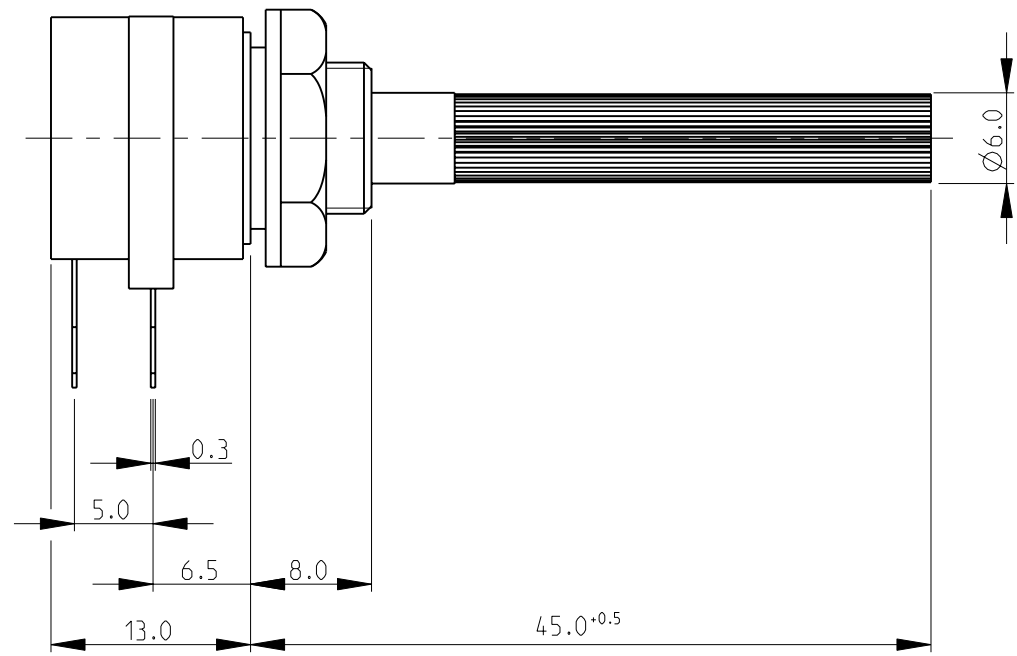


PCB LAYOUT PLAN

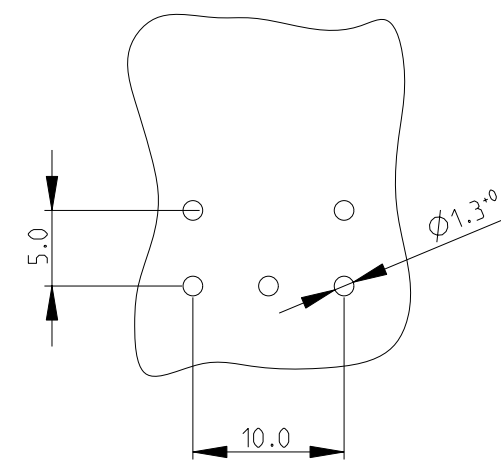


FOR FURTHER INFORMATION SEE DATA SHEET FOR SERIES CP16 - SPINDLE OPERATED POTENTIOMETERS

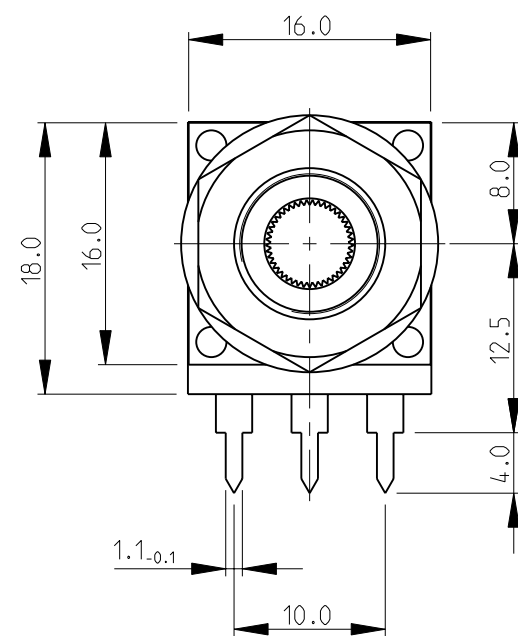
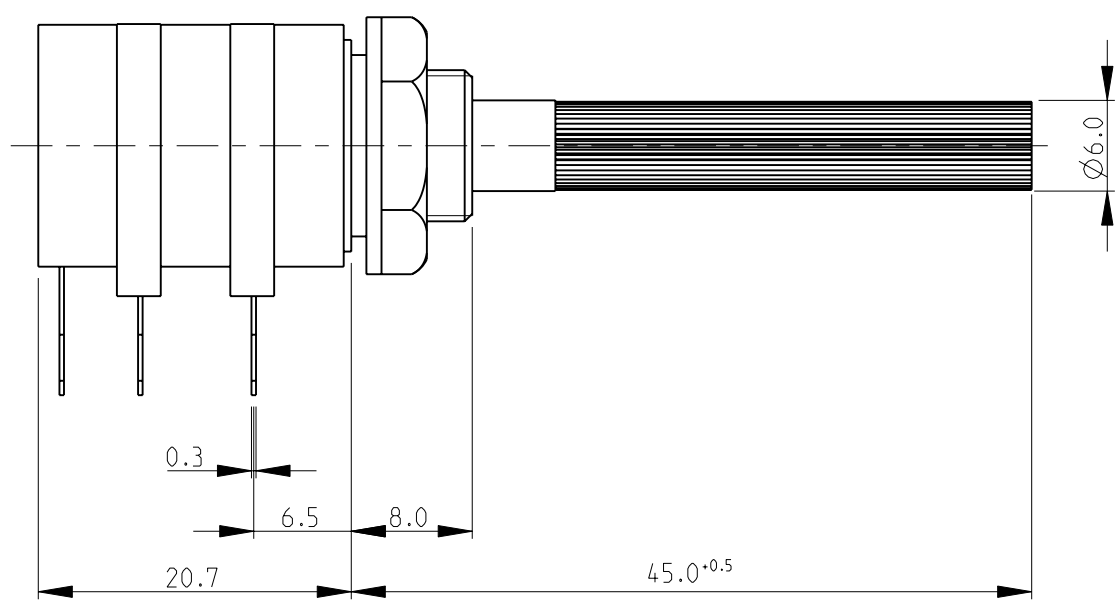
SERIES CP16SH10IP6\*....I



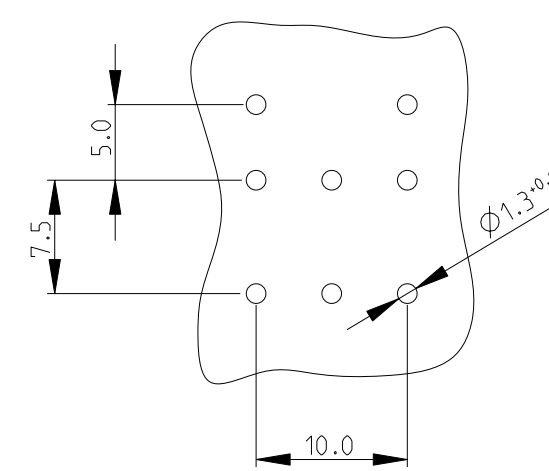
PCB LAYOUT PLAN



SERIES CP16DH10IP06\*....I

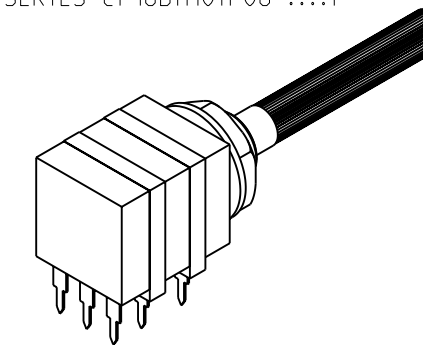


PCB LAYOUT PLAN



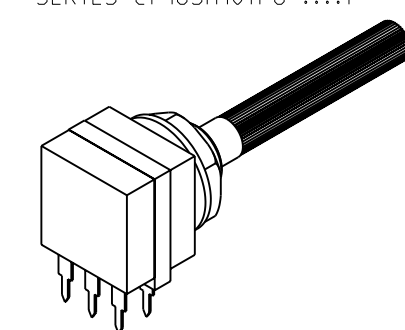
RoHS Compliant

SERIES CP16DH10IP06\*....I



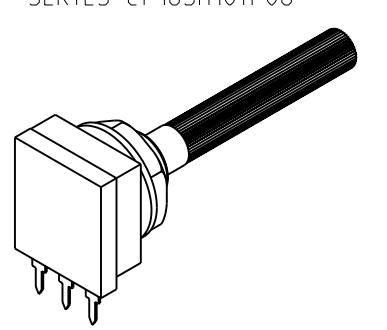
SCALE 1:1

SERIES CP16SH10IP6\*....I



SCALE 1:1

SERIES CP16SH10IP06\*



SCALE 1:1

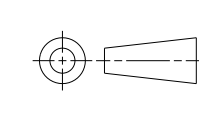
THIS DRAWING IS A CONTROLLED DOCUMENT.

DWN SUBHASH.M 02-DEC-08  
 CHK PRAKASH.S 02-DEC-08  
 APVD STEPHEN.P 02-DEC-08

DIMENSIONS:

TOLERANCES UNLESS OTHERWISE SPECIFIED:

mm



0 PLC ±0.2  
 1 PLC ±0.1  
 2 PLC ±-  
 3 PLC ±-  
 4 PLC ±-  
 ANGLES ±5°  
 FINISH

MATERIAL

-

PRODUCT SPEC

APPLICATION SPEC

WEIGHT

-

CUSTOMER DRAWING

NAME SPINDLE OPERATED POTENTIOMETER SERIES CP16

SIZE CAGE CODE DRAWING NO RESTRICTED TO

A2 00779 C-1676003

SCALE 2:1 SHEET 1 OF 1 REV BA1

